



Silicon Valley Technical Institute

1762 Technology Drive

San Jose, CA

Tel: 408-573-0100

Email: info@svtii.com

www.svtii.com

TCL SCRIPTING FUNDAMENTALS

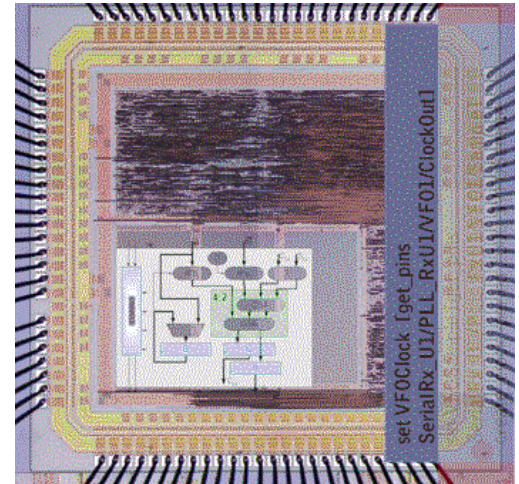
June 19, 2008

9am-5:30pm

Description

This is an intensive, hands-on, one-day workshop which presents the basic features of Tcl (Tool Control Language). To benefit fully from this workshop, attendees are expected to have coursework or job experience with C or some other modern programming language. During this workshop the attendee will learn everything necessary to write simple Tcl scripts. The most essential features of the console, or text terminal, functionality of Tcl will be presented. The content will include variables, procedures, control constructs such as loops and program branches, and the use of data structures such as lists and arrays. The attendee will learn how to access the filing system to read and write text files from a Tcl script. At the end of this Workshop, the attendee should be able to use Tcl for scripting within popular EDA tools, and to write simple stand-alone scripts. The workshop will cover the following topics:

- **Syntax -- Operators and Expressions**
- **Data Types**
- **Variables**
- **Control Constructs**
- **Procedures and Return Values**
- **Script-Writing Guidelines**
- **Quoting**
- **Inline Execution**
- **String Manipulation**
- **Lists and Arrays**
- **Arithmetic**
- **Basic File I/O**



About the Instructor:

Dr. John Michael Williams is a senior member of faculty at SVTI. He has extensive industry experience using Verilog and VHDL for advanced VLSI designs. He has worked as an instructor and software engineer at firms such as Dazix, IKOS, and COMPASS Design Automation. He is well known in the industry for script-writing skills. Dr. Williams is an active member of IEEE standards development, and has special interest in top-down design, hardware design languages, and library development.

Schedule

Check-in: 8:30 am –9:00 am

Lecture: 9:00 am - 5.30 pm

Lunch: noon-12:30 pm

Tuition

Fee for the workshop is **\$370**. The registration fee includes:

- One days of instruction + Labs
- Instructor textbook with lab exercises
- Certificate of attendance

(Lunch and refreshments are provided at no extra cost)

Location

1762 Technology Drive, Suite 227, San Jose, CA

Seating is limited.
Please register in advance.
Register on line at
<http://www.svtii.com> or
Call: 408-573-0100